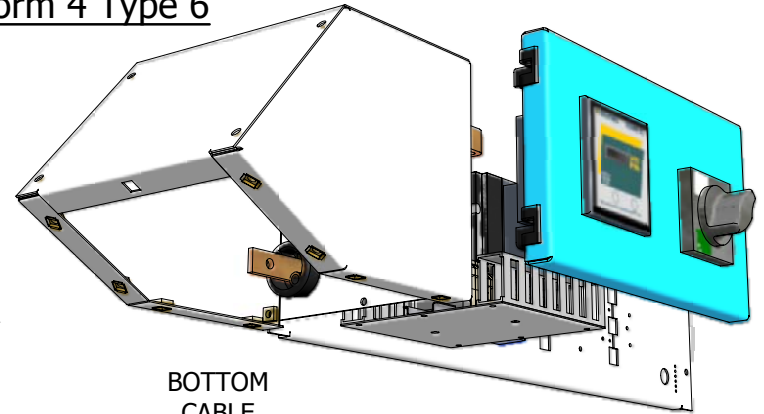
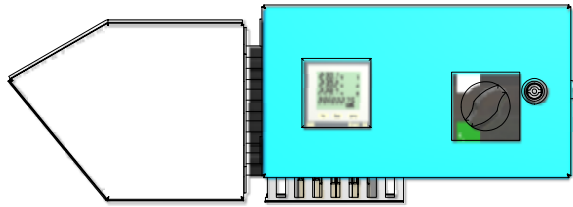
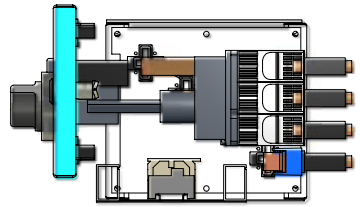


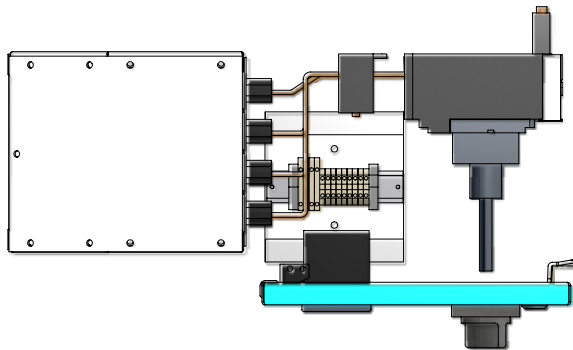
BUSBAR LOCATION	BUSBAR RATING (MAIN)	CABLE ENTRY OUTGOING	FAULT LEVEL	FINISH
BUSBAR RATING	CABLE ACCESS	DEGREE OF PROTECTION	FAULT LEVEL (DROPPERS)	SEGREGATION
BUSBAR RATING (DROPPERS)	CABLE ENTRY INCOMING	EARTH BAR LOCATION	FAULT LEVEL (MAIN)	SUPPLY

FRONT ACCESS

GR60 / GR70 / GR80 1x1Mod <= 250A MCCB Form 4 Type 6

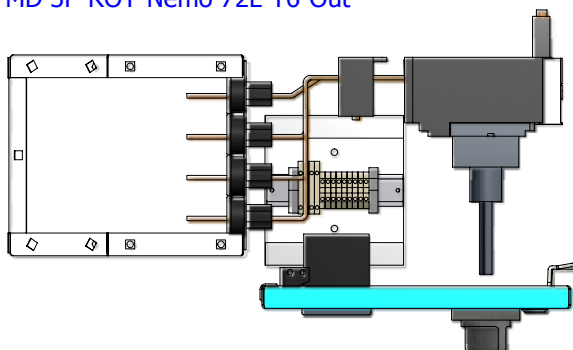


BOTTOM
CABLE
ACCESS

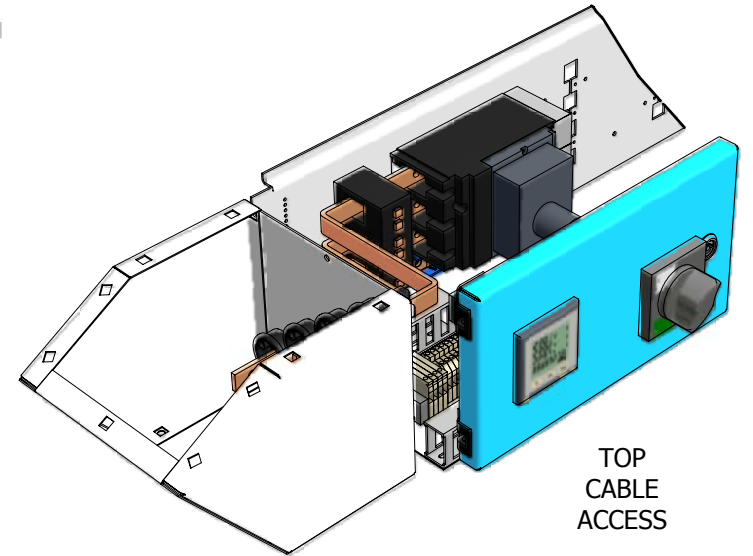


GR
1x1

GA-MCCB-LH1x1-NSX250-N-250-TMD 3P-ROT-Nemo 72L-T6-Out



T6



TOP
CABLE
ACCESS

Title			
GENERAL ARRANGEMENT 1x1 MOD GR			
INITIAL GA			
ISSUE	MODIFICATION	NAME	DATE

Drawn by D. Lucking
Date. 26/10/2009
Checked by.
Date.
SCALE. NTS

G. R. ELECTRICAL SERVICES LIMITED SHERBURN (01977) 681681 FAX (01977) 685605
PROJECT No. 1x1 MOD GR
DRAWING No. SM SHT 1 of 1



THIS DRAWING IS CONFIDENTIAL AND MAY NOT BE USED, COPIED OR DISCLOSED TO ANYONE WITHOUT PERMISSION OF GR ELECTRICAL SERVICES LTD